

Phoenix 200

Multifunction Bariatric Reclining
Shower Chair

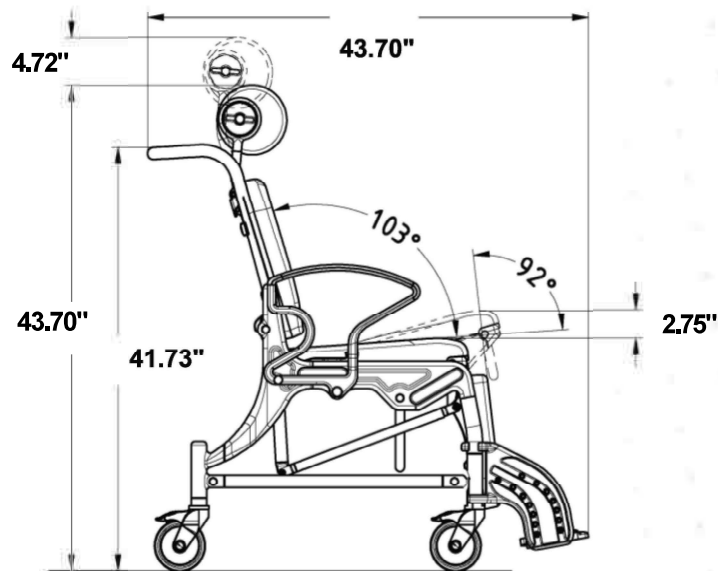


REBOTEC®



Up to 440 lbs!

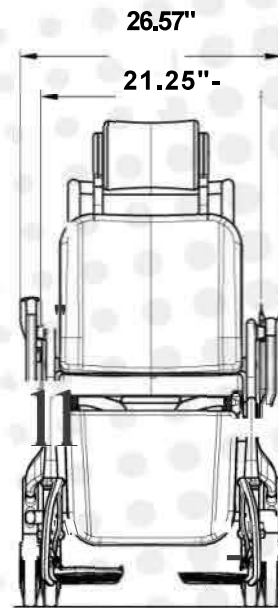
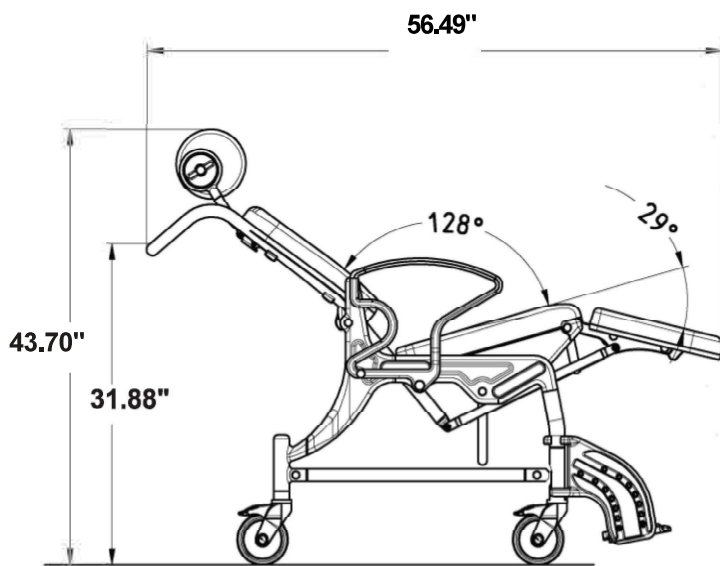
All dimensions in inches:



Phoenix 200:

- Adjustable headrest
- Tilting adjustment
- Swiving armrests
- 4 braked 5 inch swivelling dual castors
- Approved up to 200 kg/440 lbs SWL
- Seat with hygiene opening
- Includes removable commode bucket

ref.no.353.54.12



Type:	Phoenix 200
Depth:	43.70"
Width:	26.57"
Seat depth:	17.32"
Seat height:	22.44"
Seat width:	17.71"
Max. Body weight:	200 kg/440 lbs
Ref. no.	353.54.12