



EN



REBOTEC® Rehabilitationsmittel GmbH
DE-49610 Quakenbrück, Artlandstr. 57- 59
Telephone: +49 (0) 5431/9416-
Fax: +49 (0) 5431/9416- 66
Web: www.rebotec.de
Email: info@rebotec.de



BA-Nr.: 02.05.133/2021-08-A01

User Manual

Walking frames

Yano-Walker	
REF	188.99.10
	150 kg



Figure similar



Read this User Manual **before using the device for the first time** and keep it at hand for the user as well as for future use and subsequent sales.

**Table of contents**

Walking frames	1	13.2. Maintenance.....	8
1. Product description	3	14. Spare parts & accessories.....	9
1.1. Introduction	3	15. Drawing & dimensions	10
2. Features	3		
2.1. Intended purpose	3		
2.2. Conditions of use	3		
2.3. Storage & transport.....	3		
2.4. Equipment & functions	3		
2.5. Packaging	4		
2.6. Disposal	4		
3. Symbols & nameplates	4		
4. Safety instructions	4		
5. Incident reporting.....	5		
6. Warranty.....	5		
6.1. Complaint.....	5		
7. Reuse, lifetime	5		
8. Scope of delivery.....	5		
9. Setting up for use.....	6		
9.1. Setting up the walker	6		
9.2. Adjusting the handle height.....	6		
9.3. Adjusting the forearm length	6		
9.4. Adjusting the armrest angle.....	6		
10. Product data	7		
11. Operation of the product	7		
11.1. Prepare for operation.....	7		
11.2. Pushing the product	7		
11.3. Braking system.....	7		
11.4. Folding of the product	7		
12. Troubleshooting	7		
13. Care and maintenance	7		
13.1. Cleaning and care	7		

1. Product description

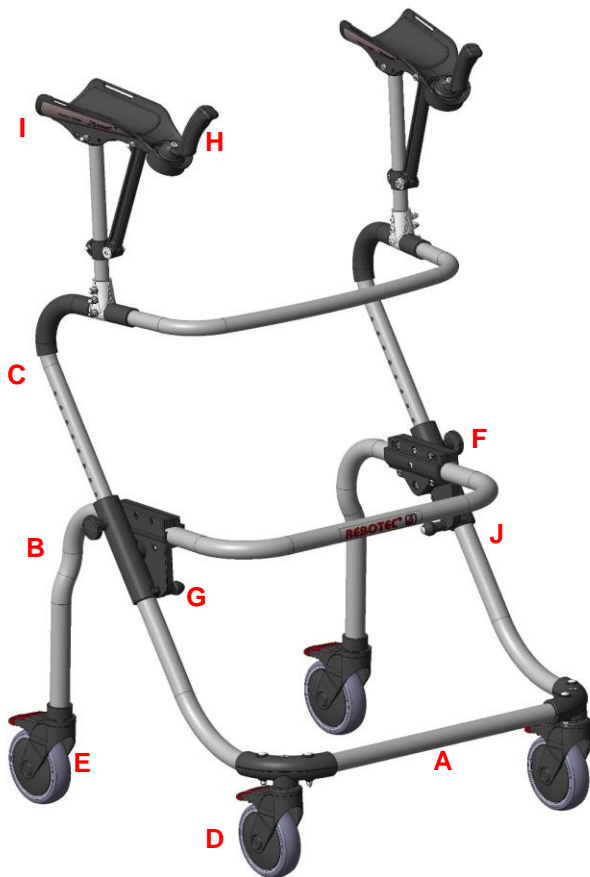


Figure shows:

A	Front wheel bracket
B	Rear wheel bracket
C	Handlebar
D	Front wheel with parking brake
E	Rear wheel with parking brake
F	Star knob screw, height adjustment
G	Folding device/snap lock
H	Standard handle
I	Forearm support
J	Nameplate

1.1. Introduction

- The product described here is a medical device of risk class I according to **(EU) 2017/745 MDR**.
- In this user manual, you will find information on the safe and proper initial operation, use, maintenance and care of this product.
- Carefully read this user manual before using the device. Follow the safety instructions and act accordingly.

2. Features

2.1. Intended purpose

- The product is used for support and relief in case of restrictions of the lower extremities. It allows the user to pursue their desire for mobility. There must be sufficient upper body musculature for safe use. Use with restrictions at the hands is possible. Persons with sensory impairments may not be able to use this item.

Specification:

- Maximum user weight: 150 kg
- Height adjustable
- Can be used by patients with rheumatism/arthritis in the hands
- Indoor use

Indication

- Impairment of mobility in the case of damage to locomotive/balance system with sufficiently preserved walking ability/coordination, if the use of other walking aids is insufficient
- To maintain/promote/secure walking; additional support for everyday activities.
- If used indoors, care must be taken to ensure sufficiently spacious living conditions.

2.2. Conditions of use

- Temperature range: -10°C to 35°C; direct radiant heat on the product must be avoided.
- Relative humidity: 40% to 85%. Outside of these conditions, the product must only be used for a short time.
- Folding for transport or storage is possible.
- This product may not be used to transport heavy objects.
- There must be a flat surface of sufficient size for the stool to be placed on. See 15.

2.3. Storage & transport

- Temperature range: 5 °C to 25 °C; direct radiant heat on the product must be avoided.
- Store the product in dry rooms with a humidity of up to 65%.
- The shower should be designed so that there is a flat surface of sufficient size.

2.4. Equipment & functions

- Foldable

- Parking brake
- Can be height-adjusted to 10 positions

2.5. Packaging

- We recommend you keep the packaging for a later transport.
- Dimensions: 780 mm x 480 mm x 840 mm

2.6. Disposal

- Disposal and recycling of used products and packaging must be carried out in accordance with currently valid regulations. Please contact a disposal company for further information.
- The Infection Protection Act must be observed.
- Please observe any labels and information on packaging material and act accordingly.

3. Symbols & nameplates

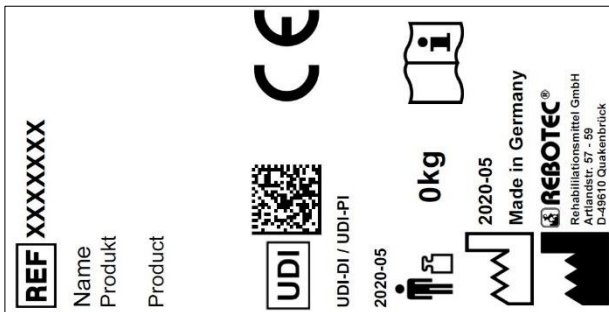


Figure similar.



The nameplate must not be removed!

For ordering spare parts and processing complaints, the device name, serial number and year of manufacture will be required.

Symbol	Meaning	Symbol	Meaning
	Read the manual!		Year of manufacture Device
SN	Serial number		<i>Important information!</i>
REF	Article number		<i>Maximum user weight in kg</i>
	Care instructions		Maintenance instructions
	Applicable for indoor use only.		Manufacturer
	Visual signal	EN	Language

Symbol	Meaning	Symbol	Meaning
	Read the User Manual!		Do not dispose of as household waste.
CE	Product complies with (EU) 2017/745 MDR		
	Caution! Observe the safety instructions		
UDI	Unique Device Identifier (Data: GTIN / LOT (SN) / year of manufacture)		
MD	Medical device label This product is a medical device.		

4. Safety instructions



Please observe the following safety instructions:

- Before using the device for the first time, the User Manual must be read completely in order to avoid damage caused by fault operation or hazards.
- Before each use, check the device for visible damage or deficiencies.
- In case of malfunctions or damage of any kind, the device must not be used.

Caution: Danger of falling!

- Be sure to check the following aspects before use:
 - Stability of the product.
 - Function of the brakes.
 - Proper locking of the folding mechanism.
 - Tight fit of the star knob nuts.
- Only use the product if completely assembled.
- Do not slump carelessly on the product.
- Only use the height adjustment in the holes provided for it.
- Avoid using the product on slippery or uneven ground.
- Make sure that least 2 brakes are always in locked position before using the product. Only release the brakes after you are able to stand stably.
- Do not start walking or pushing until you are standing upright and have grasped the handles with both hands.
- Always walk within the product frame and do not push it too far in front of you, otherwise there is an increased risk of falling due to incorrect loading.

- Users who are prone to uncontrolled actions or movements must be supervised when using the product.

Caution: Danger of slipping!

- Do not grasp the handles with wet hands, as you could slip and lose your grip.

Caution: Danger of tipping over!

- Avoid walking on steep inclines or declines; otherwise you could lose control of the rolling product.
- Do not use the product on stairs or steps.
- Do not hang any objects on the product.
- Do not lean too far over the handlebar.
- Avoid excessively leaning over the product.

Caution: Danger of breakage!

- Observe the permitted user weight (2.1).
- The product is not a means of transport for heavy objects.
- Do not climb onto or stand on the product.
- The product is not suitable for passenger transport.
- Do not expose the product to great temperature fluctuations (2.2 & 2.3).

Caution: Danger of pinching or catching!

- There is a risk of pinching or catching on all moving parts of the product. Be especially careful when unfolding and folding that no body parts or objects are caught between the moving parts.

Caution: Risk of injury!

- There is a risk of injury with surface temperatures > 40 °C. Therefore, do not expose the product to high temperatures (e.g. sunlight, radiators, hot water). Allow the product to cool before use.



If the product is used by patients with insensitive skin (no temperature perception or skin damage), a heat check (e.g. touching with the back of the hand) must be carried out by the nursing staff.

5. Incident reporting

- Serious incidents in connection with the product must be reported immediately to the manufacturer and BfArM.
 - BfArM: www.bfarm.de/DE
 - Use the reporting functions and provided forms.
 - Manufacturer: pms@rebotec.de

6. Warranty

- For this product the manufacturer grants a warranty of 12 months. Compliance with the general terms and conditions (www.rebotec.de/agbs), as well as the intended use, are a basic prerequisite. The statutory warranty provisions shall apply.
- Unauthorised modifications to this product will void the product's conformity and the warranty.

6.1. Complaint

- Please contact us before returning the product.
- To reduce transport damage, use the original packaging if possible.
- The Infection Protection Act must be complied with.
 - Please make sure that the product does not pose a risk of infection when returned.
 - Enclose the supplied information sheet on safety with the product.
 - Costs may incur for returns that are not marked non-objectionable.

7. Reuse, lifetime

- The product is suitable for reuse. How often the product can be reused depends on the frequency and nature of use.
- Before reuse, the product must be reprocessed hygienically and the technical and functional safety and reliability of the product must be checked and restored if necessary. See 13.
 - For more detailed information, please see the reprocessing instructions (02.12.155) and the maintenance instructions (02.11.149).
 - The documents can be downloaded from the following link.
 - www.rebotec.de/downloads
- When used as intended, the product has a lifetime of 3 years. The effective lifetime may vary depending on the frequency and intensity of use and the general condition.

8. Scope of delivery

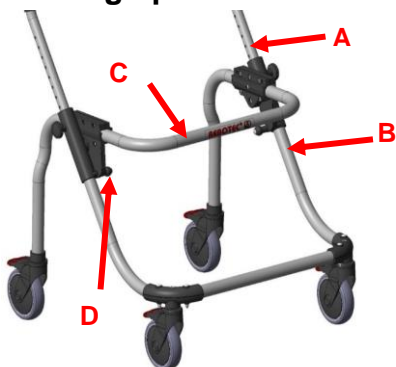
- Yano-Walker
 - User manual (02.05.133)
 - Standard handle
 - Ellipse handle
 - Spade handle

- The reprocessing and maintenance instructions can be ordered or viewed and downloaded at www.rebotec.de/downloads.

9. Setting up for use

- The product has been carefully inspected in the factory for freedom from defects and completeness. Please check the product for any possible damage which may have occurred during transport and for completeness of the scope of delivery upon receipt. Assembly or adjustment shall be carried out by the specialist dealer.

9.1. Setting up the walker

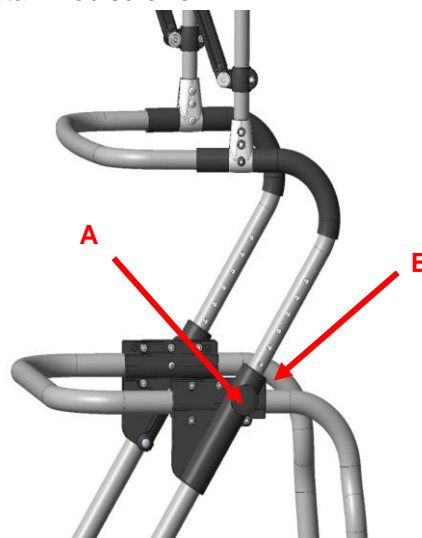


- Remove the handle bar and the wheel frame from the box.
- Place the walker on its wheels and unfold it completely by pressing down the rear wheel bracket (C) until the snap locks (D) are engaged. Check that the walker is fully unfolded and the folding lock is engaged.
- Insert the handle bar (A) with the forearm supports into the front wheel fork (B).

9.2. Adjusting the handle height

- The height of the forearm supports can be adjusted to your body size via the height-adjustable handle bar.
- Loosen the two star knob screws (A) and pull them out.

- Move the handle bar (B) to the desired height. Align the lock holes to be flush, then insert and tighten the star knob screws.



9.3. Adjusting the forearm length

- There are three setting options for adjusting the forearm length (A= regular/B= short/C= long)
- Loosen the cap nut with an open-end wrench SW10, unscrew and pull out the screw completely.
- Select the adjustment, insert the screw and screw the cap nut tight again.



9.4. Adjusting the armrest angle

- The position of the forearm can be adjusted by changing the inclination of the armrest
- Slightly loosen the screw (1) on the clamping bush (2) of the support fork with a 4 mm Allen key.
- Move the armrest to the desired position by hand (max. inclination can be adjusted up to the stop (B))
- Tighten the screw (1) again.



10. Product data

- We reserve the right to make technical developments and improvements with respect to the design shown in this User Manual.
- See 15.

Characteristic	Value
Yano-Walker	
2. Product weight*	10.6 kg
3. Total weight*	13.4 kg
Skin compatibility	DIN EN 10993-1/-5
Flammability**	DIN EN 1021-1/-2

*Without accessories.

**Flame retardant: For products made of PUR material.

11. Operation of the product

- Before use, it must be ensured that the product is in proper condition. If defects or malfunctions are evident, the product must not be used. Have the defects corrected by a specialist dealer before use.

11.1. Prepare for operation

- The product must be unfolded and the latches engaged. Check that the parking brakes are securely in place and that they function properly.

11.2. Pushing the product

- Always walk inside the frame of the walker and do not push it too far in front of you.
- Do not lean too far over the forearm supports.
- When using the product indoors, try to avoid colliding with door thresholds and pay attention to loose or slippery floor coverings.
- While walking, all four parking brakes must be released.

11.3. Braking system

- i** *Improper use of the brake can cause unsafe situations and damage (increased wear, limited function).*

Parking brake (1)

- The product should not be moved if the brakes are applied or the wheels are locked.



- Pressing down (A) the red lever locks the wheel and pressing up (B) on the lever releases the brake. The wheel can be rotated 360 degrees when not locked.

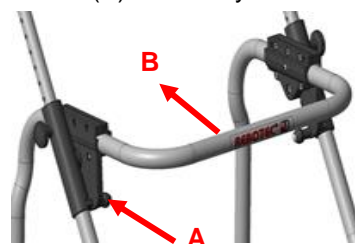
11.4. Folding of the product

Unfolding

- Place the product on its wheels and press down the frame. The folding lock must be completely engaged.

Folding

- Pull out the two snap locks completely and pull the tube bracket (B) towards you



12. Troubleshooting

Fault	Potential cause	Remedy
Wheels turn sluggishly	Deposits	Cleaning, checking regularly
Engagement bolts are jammed	Deposits	Cleaning, replace engagement bolts
No braking function	Defective function	Maintenance! Replace the product
Wheel set bent	Hitting an obstacle	Maintenance! Replacement
Visible cracks or breaks	Various causes	Maintenance! Replacement
Forearm support defective	Wear and tear	Replacement of defective parts
Loose screw connections	Wear and tear	Check connections and replace if necessary

13. Care and maintenance

13.1. Cleaning and care



The product can be cleaned using a mild conventional cleaning and disinfecting

agent. After cleaning, wipe the product with a clean, moist cloth and then wipe it dry with a dry cloth.

- Do not use scouring agents or cleaning agents with aggressive ingredients (acids, thinners), as well as hard cleaning objects (brushes), as otherwise the surfaces may be damaged or deposits may form on the materials.
- The product is suitable for manual cleaning and disinfection. Please observe the reprocessing instructions (01.12.155).

13.2. Maintenance

- Wear and tear that is not recognised in time and/or improper handling, as well as irregular or no maintenance may result in accidents.



*For safety reasons, the product must be professionally maintained at **least once a year**.*

Check product for visible damage (cracks, breaks, loose parts)

- Check stability before use

Maintenance/inspection scope

- Maintenance should include the following inspection work and should be documented.
- Visual inspection for damage, wear and corrosion of all frame parts such as:
- Frame

- Handlebar
- Forearm supports
- Front wheels (replace in pairs)
- Rear wheels (replace in pairs)
- Check all connecting elements (screws, nuts) for completeness, fit and function
- Function of the folding mechanism
- Function of the height adjustment mechanism
- Function of the brakes (parking brake)
- In the event of damage and/or repairs, contact your authorised dealer immediately.
- Never attempt **any** unauthorised modifications or conversions to the product. These may impair the safety and proper functioning of the device. **In such cases, REBOTEK will not assume any liability.**
- Only use OEM spare parts for repairs. See 6.
- After maintenance or repair work has been carried out, we recommend you clean the product before using it again.
- Please note section 7 & 14.
- Please observe the maintenance instructions (02.11.149).

14. Spare parts & accessories

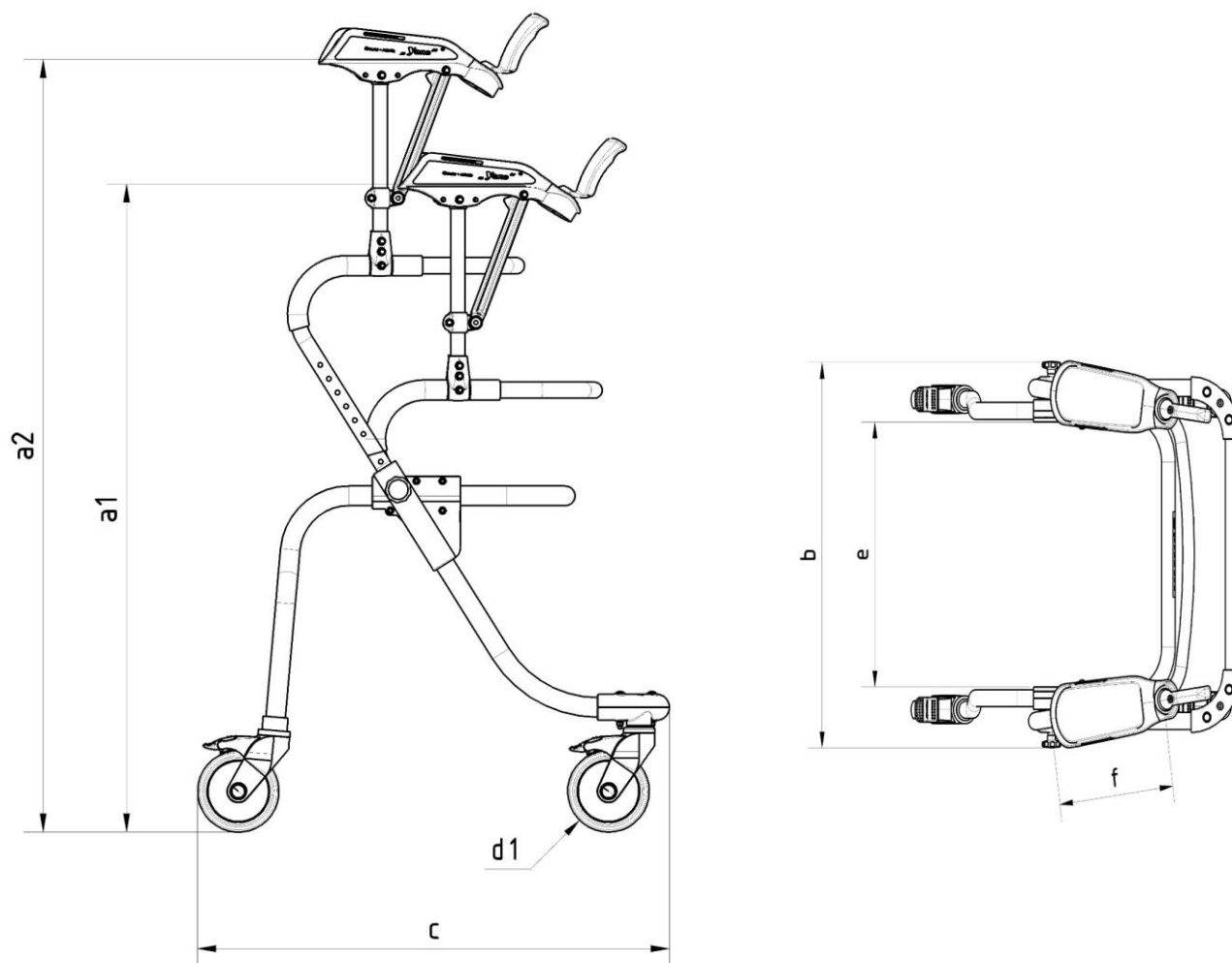


No.	Art. no.	Designation
1	288.10.45	Front wheel with parking brake, complete set
2	288.10.46	Rear wheel with parking brake, complete set
3	853.06.40	Star knob, complete
4	213.10.36	Padding for armrest, black
-	164.30.00	Walking aid holder set
-	02.05.133	User Manual
-	02.11.149	Maintenance Instructions



Use only REBOTEC spare parts and accessories to ensure the proper and safe functioning of the device.

15. Drawing & dimensions



No.	Designation	Type S / Dimensions in mm
a1	Height min.	980
a2	Height max.	1160
b	Width	680
c	Length	720
d	Front castor diameter	125
e	Rear castor diameter	125
f	Total length/armrest	260
bxc	Floor space	680 x 720

Dimensions and weights may vary depending on the equipment. There might be minor deviations due to production tolerances. Subject to change without notice.





REBOTEC® Rehabilitationsmittel GmbH

D-49610 Quakenbrück, Artlandstr. 57- 59

Telephone: +49 (0) 5431/9416-

Fax: +49 (0) 5431/9416- 66

Web: www.rebotec.de

Email: info@rebotec.de



Read this User Manual **before using the device for the first time** and keep it at hand for the user as well as for future use and subsequent sales.