



BA Nr.: 02.07.082/2023-09-A02



REBOTEC® Rehabilitationsmittel GmbH  
DE-49610 Quakenbrück, Artlandstr. 57-59  
Phone: +49 (0) 5431/9416-0  
Fax: +49 (0) 5431/9416-66  
Web: [www.rebotec.de](http://www.rebotec.de)  
Email: [info@rebotec.de](mailto:info@rebotec.de)



# User Manual

## Shower and Toilet Wheelchairs

	Berlin	Bonn	Erfurt	
<b>REF</b>	344.XX.YY	343.XX.YY	334.XX.YY	
	130 kg	130 kg	130 kg	
	New York	Boston	Oslo	Manhattan
<b>REF</b>	369.XX.YY	342.XX.YY	362.XX.YY	365.XX.YY
	150 kg	150 kg	150 kg	150 kg

XX= Colour code, YY= Equipment variant



Figure similar



Read User Manual before using the product for the first time and keep it at hand for the user as well as for future use and provide it to the purchaser in case of subsequent sales

**Table of contents**

<b>1</b>	<b>Product description .....</b>	<b>3</b>	<b>13.1</b>	<b>General.....</b>	<b>9</b>
1.1	Introduction .....	3	13.2	Cleaning.....	9
<b>2</b>	<b>Features .....</b>	<b>3</b>	13.3	Disinfection .....	9
2.1	Intended purpose .....	3	<b>14</b>	<b>Maintenance .....</b>	<b>10</b>
2.2	Use.....	4	<b>15</b>	<b>Spare parts &amp; accessories .....</b>	<b>11</b>
2.3	Storage & transport.....	4	<b>16</b>	<b>Drawing &amp; dimensions .....</b>	<b>12</b>
2.4	Packaging .....	4			
2.5	Disposal .....	4			
<b>3</b>	<b>Symbols &amp; nameplates .....</b>	<b>4</b>			
<b>4</b>	<b>Safety instructions .....</b>	<b>5</b>			
<b>5</b>	<b>Incident reporting.....</b>	<b>6</b>			
<b>6</b>	<b>Warranty.....</b>	<b>6</b>			
6.1	Complaints.....	6			
<b>7</b>	<b>Reuse, lifetime .....</b>	<b>6</b>			
<b>8</b>	<b>Scope of delivery.....</b>	<b>6</b>			
<b>9</b>	<b>Setting up for use.....</b>	<b>6</b>			
9.1	Folding down the footrests .....	6			
9.2	Adjusting the footrest height .....	6			
9.3	Mounting the backrest.....	7			
<b>10</b>	<b>Product information .....</b>	<b>7</b>			
<b>11</b>	<b>Operation of the product .....</b>	<b>7</b>			
11.1	Sitting down.....	7			
11.2	Getting up .....	7			
11.3	Swivelling the armrests .....	8			
11.4	Parking brake operation .....	8			
11.5	Removing the footrests .....	8			
11.6	Handling of the toilet bucket.....	8			
11.7	Removing the shower/toilet seat .....	8			
11.8	Removing the backrest cushion.....	8			
11.9	Moving over a toilet.....	8			
<b>12</b>	<b>Troubleshooting .....</b>	<b>8</b>			
<b>13</b>	<b>Cleaning &amp; disinfection.....</b>	<b>9</b>			

## 1 Product description



Figure shows:

A	Backrest
B	Armrest (swivelling)
C	Locking bolts
D	Chair frame with struts
E	Wheel insert with parking brake
F	PUR seat, hygiene opening
G1	PUR seat cushion (removable)
G2	Toilet seat (foldable)
H	Foot support with footrest (adjustable)
I	Bucket holder
J	Toilet bucket & lid
K	PUR backrest cushion
L	Nameplate
M	PUR back pad, comfort

### 1.1 Introduction

- The product described here is a medical device of risk class I according to **Regulation (EU) 2017/745 (MDR)**.
- In this User Manual, you will find information on the safe and proper initial operation, use, maintenance and care of this product.
- Read this User Manual carefully before using this product. Follow the safety instructions and act accordingly.

## 2 Features

### 2.1 Intended purpose

#### Berlin, Erfurt (334.XX.21, 334.XX.22), Manhattan New York – shower/toilet wheelchair

- The product is intended for the care of patients with limited ability to stand and/or walk. It enables showering while sitting down, as well as going to the toilet if a conventional toilet or bathroom is out of reach. In the case of a suitable design, it can be pushed over a conventional toilet. The patient must have sufficient sitting ability and upper body musculature. If necessary, a nurse must be present during use. The product is not intended for prolonged sitting or transfer.

#### Bonn, Boston – Toilet Wheelchair

- The product is intended for the care of patients with limited ability to stand and/or walk. It enables going to the toilet if a conventional toilet or bathroom is out of reach. In the case of a suitable design, it can be pushed over a conventional toilet. The patient must have sufficient sitting ability and upper body musculature. If necessary, a nurse must be present during use. The product is not intended for prolonged sitting or transfer.

#### Erfurt – Shower Wheelchair

- The product is intended for the care of patients with limited ability to stand and/or walk. It enables showering while sitting down. The patient must have sufficient sitting ability and upper body musculature. If necessary, a nurse must be present during use. The product is not intended for prolonged sitting or transfer.

#### Oslo – Shower Transport Wheelchair

- The product is intended for the care of patients with limited ability to stand and/or walk. It allows patients to shower while sitting down and for transfer of patients. The patient must have sufficient sitting ability and upper body musculature. If necessary, a caregiver must be present during use. The product is not intended for prolonged sitting.

**Specification – Berlin, Bonn, Erfurt:**

- Maximum user weight: 130 kg
- Height-adjustable footrests
- Wheelchair, 4 swivel castors, lockable
- Indoor use

**Specification – New York, Boston:**

- Maximum user weight: 150 kg
- Indoor use
- Height-adjustable footrests
- Wheelchair, 4 swivel castors, lockable
- Indoor use

**Specification – Oslo:**

- Indoor use
- Maximum user weight: 150 kg
- Height-adjustable footrests
- Wheelchair, 2 swivel castors, lockable
- Indoor use

**Indication**

- If it is impossible for patients to visit a stationary toilet, due to damage to the function of the lower extremities with limited or eliminated mobility and muscle strength and/or damage to the vestibular functions or tendency to fall due to other causes, while at the same time maintaining a sufficiently stable thorax posture for sitting and sufficient residual functions of the upper extremities.
- The wheelchairs for showers and toilets are intended solely for use in helping to shower or bathe, when using the toilet or when transferring a person indoors.
- Medical condition of the patient:
- The use of a chair by patients with cognitive disorders (reduced mental, physical, sensory or intellectual abilities) must be decided in advance by a medical decision (prescription of the product) or on site by nursing personnel.

**2.2 Use**

- Temperature range: 5 °C to 35 °C; direct radiant heat on the product must be avoided.
- Relative humidity: 40%-75%. Outside of these conditions, the product must only be used for a short time.
- The product is not suitable for use in swimming pools or saunas, as surface discolouration and limitations of mechanical strength may occur.

- Disassembly for transport or storage is possible.
- There must be a level parking area of sufficient size. See 16.
- Use in domestic and inpatient settings.

**2.3 Storage & transport**

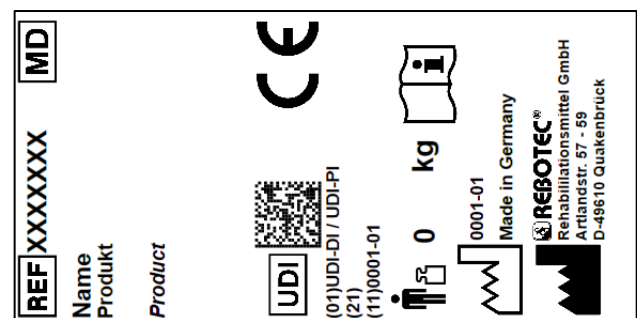
- Temperature range: 5 °C to 25 °C; direct radiant heat on the product must be avoided.
- Store the product in dry rooms with a humidity of up to 65%.
- The shower should be designed so that there is a flat surface of sufficient size.

**2.4 Packaging**

- We recommend you keep the packaging for later transport.
- Dimensions:
  - Berlin, Bonn, Erfurt: 640 mm x 570 mm x 570 mm
  - Boston, New York: 640 mm x 570 mm x 640 mm
  - Manhattan: 640 mm x 570 mm x 730 mm
  - Oslo: 730 mm x 660 mm x 720 mm

**2.5 Disposal**

- Disposal and recycling of used products and packaging must be carried out in accordance with currently valid regulations. Please contact a disposal company for further information.
- The Infection Protection Act must be observed.
- Please observe any labels and information on packaging material and act accordingly.

**3 Symbols & nameplates****Figure similar.**

*The nameplate must not be removed! For ordering spare parts and processing complaints, the device name, serial number and year of manufacture will be required.*

Symbol	Meaning	Symbol	Meaning
	Read the manual!		Year of manufacture of product
<b>SN</b>	Serial number		<i>Important information!</i>
<b>REF</b>	Product number		<i>Maximum user weight in kg</i>
	Care instructions		Maintenance instructions
	Applicable for indoor use only.		Manufacturer
	Visual signal		Language
	Read the User Manual!		Do not dispose of as household waste.
<b>CE</b>	The product complies with <b>Regulation (EU) 2017/745 (MDR)</b>		
	Caution! Observe the safety instructions		
<b>UDI</b>	Unique Device Identifier (Data: GTIN / LOT (SN) / year of manufacture)		
<b>MD</b>	Medical device label This product is a medical device.		

## 4 Safety instructions



**Please observe the following safety instructions:**

- Before using the product for the first time, the User Manual must be read completely in order to avoid hazards or damage caused by maloperation.
- Before every commissioning, check whether there is any visible damage to the product.
- In case of malfunction or damage of any kind, the product must not be used.

### Caution: Danger of falling!

- The chair must only be used with the armrests locked in place when sitting and moving about.
- Sitting down, getting up and transferring of a patient should be done under supervision or with the help of a trained caregiver, depending on the patient's state of health.

- Patients who are prone to uncontrolled actions or movements must be supervised when using the chair.
- The chair may **only** be moved on a slope or incline with the help of a caregiver. Generally, on an uphill slope the chair should be pushed forward and on a downhill slope it should be pulled backward.

### Caution: Danger of breakage!

- The product is only suitable for the intended use. Observe the permitted user weight.
- Never carry or lift the product while a patient is sitting on it.
- Do not pull or hold on to additionally attached components or accessories.

### Caution: Danger of tipping over!

- The chair must only be used with the armrests locked in place when sitting and moving about.
- The chair must only be pushed by the push handle (backrest).
- **Only** move the chair at a moderate walking pace (with and without patients).
- Do not lean out of the chair (both in standstill and while moving). If the swivel castors are in an unfavourable position (pointing inwards), the chair's stability is limited.

### Caution: Danger of pinching or catching!

- When folding the armrests up or down, do not reach into the joint guide so that no parts of the body or other objects are trapped. To this end, also see 9 on page 6.
- When attaching the seat plate, do not reach between the seat surface and the seat frame so that no body parts are trapped.
- When pulling out and pushing in the toilet bucket, there is a risk of soft parts of the patient being trapped. To prevent injuries, the bucket may only be pulled out or pushed in when no user is sitting in the chair.

### Caution: Risk of injury!

- There is a risk of injury with surface temperatures > 40 °C. Therefore, do not expose the product to high temperatures (e.g. sunlight, radiators, hot water). Allow the product to cool down before use.



*If the product is used by patients with insensitive skin (no temperature perception or skin damage), a heat check (e.g. touching with the back of the hand) must be carried out by the nursing staff.*

## 5 Incident reporting

- Serious incidents in connection with the product must be reported immediately to the manufacturer and Federal Institute for Drugs and Medical Devices (BfArM).
  - BfArM: [www.bfarm.de/DE](http://www.bfarm.de/DE)
    - Use the reporting functions and provided forms.
  - Manufacturer: [pms@rebotec.de](mailto:pms@rebotec.de)

## 6 Warranty

- The manufacturer grants a warranty of 12 months for this product. The prerequisites are the general terms and conditions ([www.rebotec.de/agbs](http://www.rebotec.de/agbs)), as well as the intended use. The statutory warranty provisions shall apply.
- Unauthorised modifications to this product will void the product's conformity and the warranty.

### 6.1 Complaints

- Please contact us before returning the product.
- To reduce transport damage, use the original packaging if possible.
- The Infection Protection Act must be complied with.
  - Please make sure that the product does not pose a risk of infection when returned.
  - Enclose the information sheet on safety with the product.
  - Costs may be incurred for returns that are not marked as harmless.

## 7 Reuse, lifetime

- The product is suitable for reuse. How often the product can be reused depends on the frequency and nature of use.
- Before reuse, the product must be reprocessed hygienically and the technical and functional safety and reliability of the product must be checked and restored if necessary. See Fehler! Verweisquelle konnte nicht gefunden werden..
  - For more detailed information, please see the reprocessing instructions (02.12.156) and the maintenance instructions (01.11.150).
  - The documents can be downloaded from the following link.
    - [www.rebotec.de/downloads](http://www.rebotec.de/downloads)

- If the product is used as intended, its lifetime is 5 years. The effective lifetime may vary depending on the frequency and intensity of use and the general condition.

## 8 Scope of delivery

- 1x Shower/toilet wheelchair
- 1x User Manual (02.07.082)
- 1x Maintenance instructions (02.11.150)
- The reprocessing and maintenance instructions can be ordered or viewed and downloaded at [www.rebotec.de/downloads](http://www.rebotec.de/downloads).

## 9 Setting up for use

- The product has been carefully inspected in the factory for freedom from defects and completeness. Please check the product for any possible damage which may have occurred during transport and for completeness of the scope of delivery upon receipt. Assembly or adjustment shall be carried out by the specialist dealer

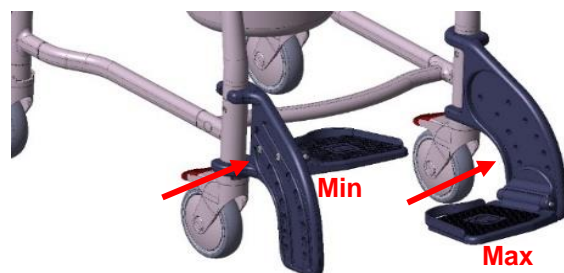
### 9.1 Folding down the footrests

- Turn (1) the footrests forwards until they engage automatically. Fold (2) the footrests down. Adjust the height of the footrests if necessary.



### 9.2 Adjusting the footrest height

- The footrest height can be adjusted in 7 positions. Loosen and remove the screws on the side of the footrest using an Allen key (SW 5). Select the appropriate height (1-7) and screw the footrest back in place. Make sure that the screws are firmly tightened!



### 9.3 Mounting the backrest



- Swivel the armrest backwards, place the backrest on the tubes of the chair frame and push it onto the base frame as far as it will go.

- Swivel the armrests forwards again so that they engage in the groove on the backrest and with the locking bolt in the base frame.

## 10 Product information

- We reserve the right to make technical developments and improvements with respect to the design shown in this User Manual.
- See 16.

Field		Value
<b>Berlin, Bonn, Erfurt</b>		
1.	User weight	max. 130 kg
2.	Product weight*	Berlin: 16.4 kg Bonn: 15.2 kg Erfurt: 13.7 kg
3.	Total weight*	Berlin: 19.0 kg Bonn: 17.8 kg Erfurt: 16.3 kg
Field		Value
<b>New York, Boston, Manhattan</b>		
1.	User weight	max. 150 kg
2.	Product weight*	New York: 18.1 kg Boston: 17.4 kg Manhattan: 20.6 kg
3.	Total weight*	New York: 20.5 kg Boston: 19.8 kg Manhattan: 23.0 kg
Field		Value
<b>Oslo</b>		
1.	User weight	max. 150 kg
2.	Product weight*	16.8 kg
3.	Total weight*	20.2 kg
Skin sensitivity		DIN EN 10993-1/-5
Flammability		DIN EN 1021-1/-2

\*Without accessories

\*\*Flame-retardant: For products made of PUR material.

## 11 Operation of the product

- Before use, it must be ensured that the product is in proper condition. If defects or malfunctions are evident, the product must not be used. Have the defects corrected by a specialist dealer before use.



If necessary, depending on the patient's limitations (adequate mobility and muscle strength), sitting down and getting up must be done with the help of a caregiver. Subsequent adjustments may only be made by qualified personnel!

### 11.1 Sitting down

- Before sitting down and standing up, make sure that the product is securely positioned to prevent it from slipping or tipping over, that at least two wheels are braked, that the armrests are properly engaged, that the seat surfaces are firmly in place, and that the footrests are folded to the side or up.

1.



- The user must position themselves as close as possible to the product. If necessary, they can orientate or support themselves with their hands on the armrests.

- If this is not possible due to the patient's physical limitations, the user must seek the assistance of a competent person. This can be with the help of an assistive device



**Attention: Danger of falling!**

2.



- Falling down or slumping on the chair seat must be avoided. The patient should sit on the full chair surface, if possible, and not only on the edge of the seat

- When transporting people, the entire surface of the backrest and the footrests must be used if possible.

### 11.2 Getting up

- Before standing up, make sure that the product is securely positioned to prevent it from slipping or tipping over, that **at least two wheels are braked**, that the armrests are properly engaged, that the footrests are folded to the side or up and that the patient is sitting upright.
- The patient must move forward on the chair surface until their feet are on the floor.
- The patient must support themselves with their arms on the armrests and slowly rise from the seat.

3.



- The patient must not lean their body too far forward to avoid a potential risk of falling.
- The patient should be helped to stand up by the nursing staff


**Caution: Danger of falling!**

4



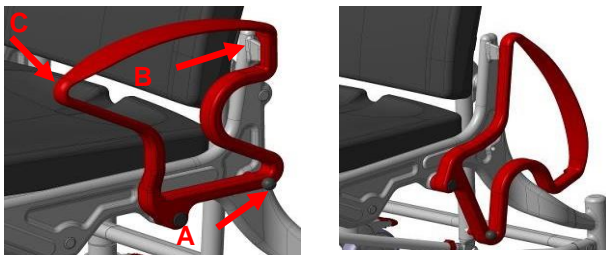
- The patient must never leave their feet on the footrests when sitting down or getting up.

### 11.3 Swivelling the armrests

- Pulling out the locking bolts (A) releases the locking mechanism and the armrests can be swivelled backwards.
- When folding up the armrest, check that the catch on the backrest (B) and the locking bolt (A) are seated correctly.

**Caution: Danger of pinching or catching!**

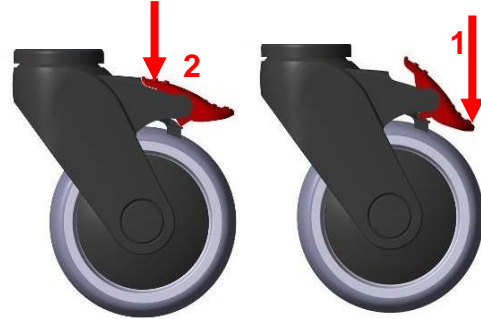
- The armrests are to be swivelled with both hands. To do this, keep the locking bolt (A) pulled during the entire swivelling process and guide the armrest to point (C) with the other hand.
- Only touch the outer area and do not reach into or through the armrest.



Check the locking at regular intervals, as possible limescale deposits on the locking mechanism can impair function and smooth operation.

### 11.4 Parking brake operation

- With your foot, press down the parking brake lever (1). The wheel is now braked and fixed in its direction. The wheel is released by lifting the actuating lever with the foot (2).



### 11.5 Removing the footrests

- Remove or fold up the seat. Then, raise the footrest by approx. 100 mm and turn outwards by 90 degrees.
- Now you can push the footrest all the way up and pull it out

### 11.6 Handling of the toilet bucket

- From the back of the chair, slide the toilet bucket under the seat. To remove, slightly lift the bucket and then pull it out backwards.
- In the version with a 2-section toilet seat, you can alternatively insert or remove the toilet bucket from above by lifting the seat.

### 11.7 Removing the shower/toilet seat

- The seat can be removed from its locked position on the chair frame by lifting it off for cleaning or replacement.

### 11.8 Removing the backrest cushion

- The backrest cushion is attached to the backrest by means of nubs. Press against the nubs to release the backrest cushion.

### 11.9 Moving over a toilet

- To ensure that the chair can be moved far enough over the toilet, push the clamping strut (A) by hand as far as it will go against the front strut (B).

## 12 Troubleshooting

Fault	Potential cause	Remedy
Armrest cannot be swivelled down	Deposits in the locking device (locking bolt)	Cleaning, regular checking
Locking bolt cannot be pulled out	Deposits, tension spring jammed or defective	Cleaning,



Fault	Potential cause	Remedy
		replacing the locking bolt
Footrest cannot be folded down	Deposits in the joint, bracing	Cleaning, checking screw connection
Wheel lock does not brake	General defect	See maintenance!
The wheel is stiff	Deposits	Cleaning
Wheel does not turn	General defect	See maintenance!
Wheel runs unevenly	Severe uneven tread wear	See maintenance!
Chair frame too unstable	Screw connections too loose	Screw connections: Tighten frame, wheel inserts
Wheel insert bent	Hitting an obstacle	See maintenance!

## 13 Cleaning & disinfection

### 13.1 General



**Attention: Danger of jamming when cleaning the footrests!**

- Please note point 4.
- The product is suitable for machine cleaning and disinfection. Please observe the reprocessing instructions (02.12.156).
  - Only the bucket can be cleaned and disinfected by machine.
- Do not use hard objects such as scrapers, wire brushes, or metal sponges.
- Observe infection control. Disinfect the product before reuse.
- Do not mix different cleaning and disinfectant products.

### 13.2 Cleaning

- Gross contamination must be removed immediately after use.
- The seat pad, seat, leg pad and bucket must be removed before cleaning.
  - They must be cleaned and dried separately.

- Use only commercially available detergents with a pH of 5-9.
- Note the mixing ratio information.
- Allow the detergent to act as specified by the manufacturer.
- Remove the cleaning agent with warm water without leaving any residue.
- After cleaning, wipe the product with a damp cloth.
- Dry the product with a cloth after cleaning. The product may only be used in a dry state.

#### Exclusions:

- Cleaning agents must not contain chlorine or strong acids.
- Do not use cleaners with added abrasive.
- Do not use a pressure washer.

### 13.3 Disinfection

The product is not intended for steam or hot air sterilisation.

- Observe the operating temperatures (2.2).
- The product is not intended for steam or hot air sterilisation. Observe the operating temperatures (2.2).
- Use only surface disinfectants tested and recognised by the Robert Koch Institute.
  - Permitted agents are those based on (form) aldehyde or alcohol.
- Observe the material approvals of disinfectant manufacturers. The product consists of the following components or materials:
  - Polyamide: Frame, armrests, footrests
  - Polyurethane: Seat, backrest, leg rest, head support
  - Polypropylene: Bucket & holder
  - Polythene: Nameplate
  - Aluminium: Tubes
  - Stainless steel: Screws, washers. Nuts
- Note the mixing ratio information.
- Observe the safety instructions from the disinfectant manufacturer.
- Apply the disinfectant by spraying or rubbing over the surface.
- Leave the agent to take effect. Observe the indicated exposure times.



- Depending on the disinfectant, a subsequent wiping with warm water may be necessary.
- Remove the disinfectant without leaving any residue.

**Exclusions:**

- Do not use any alcohol-based products in the area of stickers and nameplates.
- Cleaning agents must not contain chlorine or strong acids.

## 14 Maintenance

- Wear and tear that is not recognised in time and/or improper handling, as well as irregular or no maintenance may result in accidents.



*For safety reasons, the product must be professionally maintained **at least once a year**.*

- Check product for visible damage
  - (cracks, breakage, loose parts)
- Check stability before use

**Maintenance/inspection scope**

- Maintenance should include the following inspection work and should be documented.
- All bolted connections for tightness (especially the wheel inserts and the frame)
- Function of the armrests and locking bolts
- Function of the footrest (replace defective footrests)
- Running characteristics and tread of the wheels (replace defective wheels)
- Function of the parking brakes (replace defective brakes)
- Inspect accessories for deficiencies

**Repair**

- If you have any questions concerning the maintenance of the chair, please contact an authorised dealer or a medical and healthcare supplies store.
- In the event of damage and/or a need for repairs, contact your authorised dealer immediately.
- Do **not** make **any** unauthorised changes to the product. This may affect the safety and function of the product.
- **In such cases, REBOTEC will not assume any liability.**

- Only use original spare parts from the manufacturer for repairs. Observe all guarantee and warranty information.
- After maintenance or repair work has been carried out, we recommend you clean the chair for hygienic reasons before using it again.
- Follow all the instructions for ordering spare parts, reuse and the lifetime.



*For documenting the maintenance and repair work, REBOTEC provides a Maintenance Report. The User Manual and Maintenance Report can be ordered or viewed at [www.rebotec.de](http://www.rebotec.de). It is also possible to print the information and read it when needed.*

## 15 Spare parts & accessories

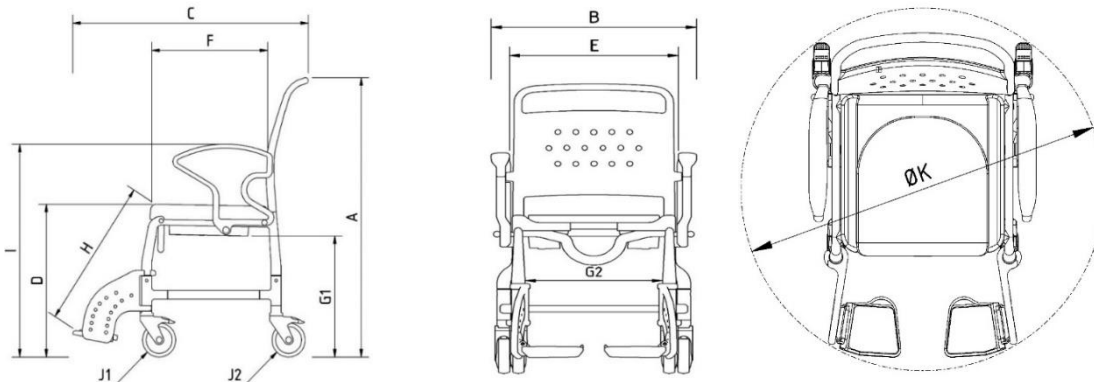


No.	Prod. no.	Designation
1	301.00	Toilet bucket, standard
2	309.10	Bucket holder
3	440.XX.62	PUR lining mat for shower and toilet seat
4a	440.10.04	PUR shower seat (130 kg)
	440.10.14	PUR shower seat (150 kg)
4b	307.00	Toilet seat
5a	447.00.81	Rear wheel 125 total locker
	442.00.81	Rear wheel 125 total locker
	448.00.81	Rear wheel 125 total locker
5b	447.00.83	Wheel 125 total locker
	442.00.80	Front wheel 125 – unbraked
	448.00.83	Wheel 125 total locker
6	450.10.05	Armrest lock, complete
7	447.XX.57	Footrest complete, left
8	447.XX.59	Footrest complete, right
-	440.10.24	Shower seat, closed
-	308.00.00	Shower seat with hygiene cut-out, grey
-	308.00.60	Shower seat, standard with bucket holder
-	440.10.32	PUR armrest pad
-	442.00.86	Brake lever, right
-	442.00.87	Brake lever, left
-	302.00	Toilet bowl
-	445.10.59	PUR backrest cushion for aluminium backrest
-	445.48.82	Backrest with upholstery
-	450.10.15	PUR back pad, comfort
-	303.62	Infusion stand with holder
-	322.30.20	Safety belt size M/L
-	322.10.50	Safety belt slide-on pad
-	440.10.40	PUR splash protection for PUR shower seat
-	440.50.70	Stabiliser for clamping strut, 50 cm seat width
-	02.07.082	User Manual
-	02.11.150	Maintenance Report
-	02.12.156	Reprocessing Instructions

**XX= Colour variant**



Use only REBOTEC spare parts and accessories to ensure the proper and safe functioning of the product.

**16 Drawing & dimensions**

No.	Designation	Berlin dimensions	Bonn dimensions	Erfurt dimensions	
A	Height	1010 mm			
B	Width	560 mm			
C	Depth	870 mm			
D	Seat height	550 mm	530 mm		
E	Seat width	460 mm			
F	Seat depth	450 mm			
G1	Slide-over height	430 mm	440 mm	430 mm	
G2	Slide-over width	470 mm			
H	Footrest knee height max.	380 mm – 540 mm			
I	Armrest height	765 mm			
J1	Front wheel diameter	125 mm			
J2	Rear wheel diameter	125 mm			
K	Turning diameter	980 mm			
No.	Designation	New York dimensions	Boston dimensions	Oslo dimensions	Manhattan dimensions
A	Height	1040 mm		1030 mm	1020 mm
B	Width	620 mm		640 mm	630 mm
C	Depth	890 mm		1060 mm	960 mm
D	Seat height	550 mm	530 mm	560 mm	550 mm
E	Seat width	520 mm			
F	Seat depth	450 mm			430 mm
G1	Slide-over height	430 mm	440 mm	-	430 mm
G2	Slide-over width	470 mm		-	450 mm
H	Footrest knee height max.	380 mm – 540 mm			
I	Armrest height	765 mm			
J1	Front wheel diameter	125 mm			
J2	Rear wheel diameter	125 mm			
K	Turning diameter	1060 mm	1010 mm		1060 mm



Dimensions and weights may vary depending on the equipment. There might be minor deviations due to production tolerances. Subject to change without notice.

**REBOTEC®** Rehabilitationsmittel GmbH

D-49610 Quakenbrück, Artlandstr. 57-59

Phone: +49 (0) 5431/9416-0

Fax: +49 (0) 5431/9416-66

Web: [www.rebotec.de](http://www.rebotec.de)

Email: [info@rebotec.de](mailto:info@rebotec.de)

EN



Read User Manual before using the product for the first time and keep it at hand for the user as well as for future use and provide it to the purchaser in case of subsequent sales.